

EL[®]MARK

The Brand of Electricity

LED PANEL

ROUND



TECHNICAL SPECIFICATION

INDOOR-LED PANELS

ELMARK[®]

The Brand of Electricity

Technical data:

- Nominal voltage: 185240V/ 50-60Hz
- Power: 6W; 12W; 18W; 21W; 24W
- Power supply: Control gear; DC device- driver
- Light source: Epistar SMD2835
- Colour temperature: 4000-4300K
- Colour body: White
- Body material: Aluminuim
- Reflector: Polycarbonate (PC)
- Beam angle: 120°
- Colour rendering index: Ra≥80
- Switch on/off:>20 000
- Long life: 30 000h
- Starting time: <0.5s
- Power factor: $\lambda > 0.8$
- Protection against dust and moisture: IP40
- Easy installation due to handy clips
- Recessed mounted luminaire.

Features:

- Completely replace traditional fluorescent lighting
- Safety, low voltage operation
- Emit a very pleasant and even light with very low glare factor due to the diffusion lens
- Low power consumption
- Repeated switch-on/off does not affect the lifespan of the LED panel
- Instant light with maximum luminous flux
- Environmentally friendly - do not emit mercury and lead (RoHS Directive)
- No ultraviolet and infrared rays
- Resistant to shock and vibration

TECHNICAL SPECIFICATION

INDOOR-LED PANELS

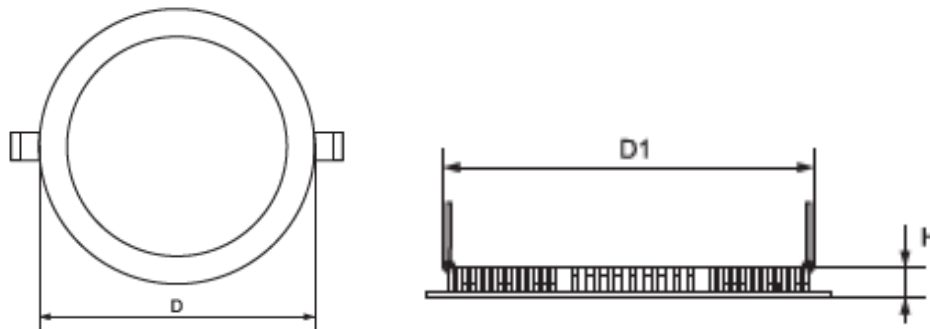
ELMARK[®]

The Brand of Electricity

Area of application:

- Residential buildings
- Administrative buildings
- Banks
- Hospitals
- Schools

Variants and Dimensions:



Watt	Dimmable	Whole fixture lumens	Colour temp.	Colour body	Size (mm)			Catalogue number	Packing/ Box (pcs)
					Diameter	Height	Diameter1		
(W)		(lm)	(K)						
6	-	350	4000-4300	White	118	18	100	99LED971	1/50
6	-	350	2700-3000	White	118	18	100	99LED971WW	1/50
6	-	350	6000-6400	White	118	18	100	99LED971CW	1/50
12	-	890	4000-4300	White	167	18	150	99LED972	1/30
12	-	890	2700-3000	White	167	18	150	99LED972WW	1/30
12	-	890	6000-6400	White	167	18	150	99LED972CW	1/30
18	-	1420	4000-4300	White	221	18	200	99LED973	1/20
18	-	1420	2700-3000	White	221	18	200	99LED973WW	1/20
18	-	1420	6000-6400	White	221	18	200	99LED973CW	1/20
21	Yes	1680	4000-4300	White	225	21	205	99LED617D	1/20
24	-	1900	4000-4300	White	296	18	275	99LED974	1/20
24	-	1900	2700-3000	White	296	18	275	99LED974WW	1/20
24	-	1900	6000-6400	White	296	18	275	99LED974CW	1/20

TECHNICAL SPECIFICATION

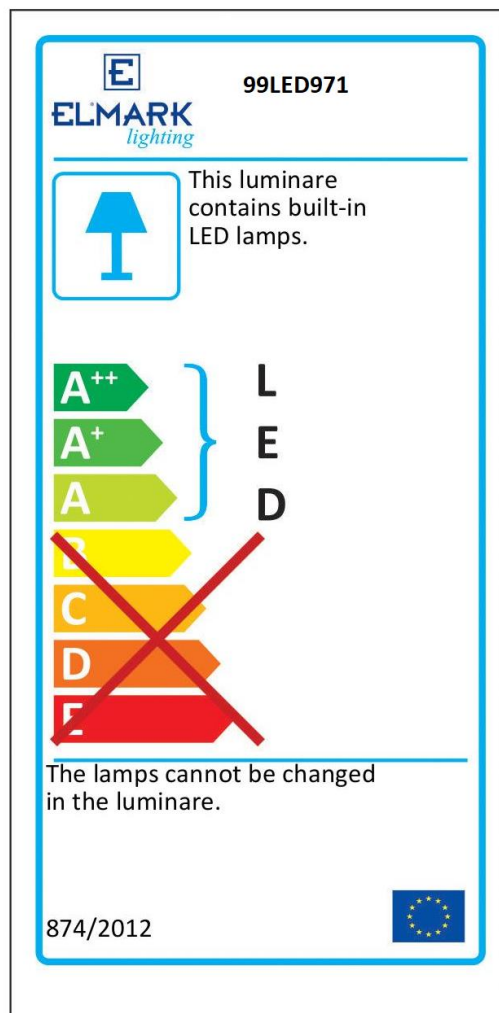
INDOOR-LED PANELS

ELMARK[®]

The Brand of Electricity

Barcodes:

3800131216748	99LED971
3800131216755	99LED972
3800131216762	99LED973
3800131192202	99LED617D
3800131216779	99LED974



EN 55015 • EN 61000-3-2 • EN 61000-3-3 • EN 61547 • EN 60598-1 • EN 60598-2-2 • EN 61347-1 • EN 61347-2-13 • EN 13032-4 • EN 50581:2012

CE RoHS COMPLIANT 

www.elmarkholding.eu