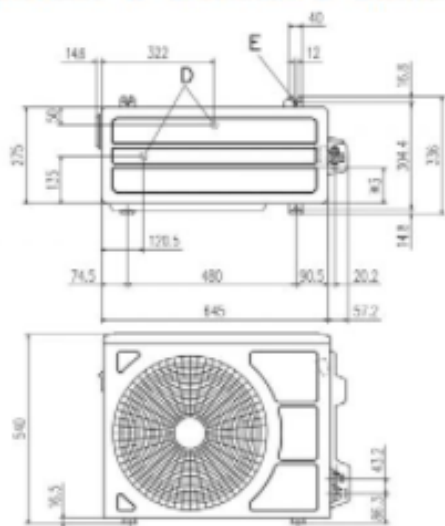
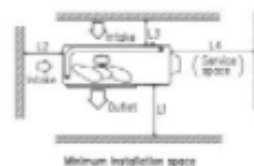
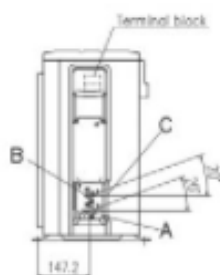


**SRC25ZSP-W SRC25ZSP-S SRC35ZSP-W SRC35ZSP-S**

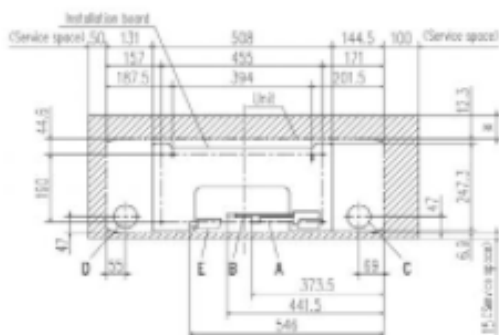
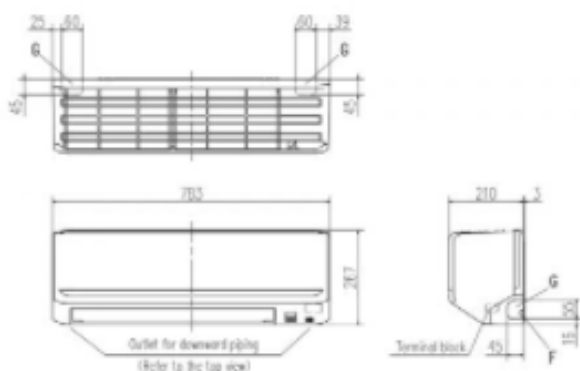


Symbol	Content	
A	Service valve connection (gas side)	49.52 (1.95") (Flare)
B	Service valve connection (liquid side)	46.35 (1.82") (Flare)
C	Pipe/cable draw-out hole	
D	Drain discharge hole	4264 (Optional)
F	Anchor bolt hole	M8 (Optional)

Service of position	Dimension			
	I	II	III	IV
L1	Open	290	250	190
L2	100	100	Open	Open
L3	100	80	80	80
L4	250	Open	250	Open



**SRK25ZSP-W SRK35ZSP-W SRK45ZSP-W  
SRK25ZSP-S SRK35ZSP-S SRK45ZSP-S**



Service space	65
Recommendation	80

Space for installation and service when viewing from the front

Symbol	Content	
A	Gas piping	SRK25,35 49.52 (1.95") (Flare) SRK45 42.7 (1.67") (Flare)
B	Liquid piping	46.35 (1.82") (Flare)
C	Hole on wall for right rear piping	1485
D	Hole on wall for left rear piping	1485
E	Drain hose	1P16
F	Outlet for wiring	
G	Outlet for piping (on both side)	