

High capacity water heaters TESIY



EV 9S 200 60 F40 TP
EV 12S 300 65 F41 TP
EV 15S 500 75 F42 TP

EV 7/5S2 200 60 F40 TP2
EV 10/7S2 300 65 F41 TP2
EV 13/9S2 500 75 F42 TP2

High capacity water heaters with one or two heat exchangers with capacity 200, 300 and 500 litres.

As a standard feature the water heaters include cathodic protection with magnesium anode.

As an option electric heating elements can be installed in the storage tank as a backup heating source. They are supplied in separate package as a kit with a thermostat and thermal cut out. The heating elements can be installed on both positions – in the middle or/and near the bottom of the water tank.

Tesy high capacity water heaters are thermal insulated with rigid, mould-injected polyurethane foam (50 mm – thickness) and have external removable padded grey cover.

TESY EVS1 Technical data TESIY EVS2

200	300	500	l	Capacity	l	500	300	200
65	92	145	kg	Weight	kg	158	100	70
0.96	1.45	2.25	m ²	Heat exchanger surface (S1 – lower position)	m ²	1.96	1.21	0.75
				Heat exchanger surface (S2 – upper position)	m ²	1.36	0.85	0.54
5.8	8.8	13.7	l	Heat exchanger capacity (S1)	l	11.9	7.4	4.6
				Heat exchanger capacity (S2)	l	8.3	5.2	3.3
32/40	40/53	61/73	kW	Exchanged power in continuous mode (max coil output) S1 *60-80/70-90 °C	kW	59/71	34/46	23/30
				Exchanged power in continuous mode (max coil output) S2 *60-80/70-90 °C	kW	44/55	25/33	13/20
768/955	882/1248	1500/1795	l/h	Continuous flow rate of DHW at ΔT35°C (S1) *60-80/70-90 °C	l/h	1082/1746	792/1092	558/648
				Continuous flow rate of DHW at ΔT35°C (S2) *60-80/70-90 °C	l/h	1451/1746	594/785	318/468
240	330	510	l	Maximum quantity of drawn off water MIX45°C, Power input cut off (S1)	l	553	302	225
				Maximum quantity of drawn off water MIX45°C, Power input cut off (S2)	l	268	151	111
2.5	2.7	2.9	kW/h	Heat losses	kW/h	2.9	2.7	2.5
95	95	95	T °C	Maximum operational temperature	T °C	95	95	95
8	8	8	bar	Rated pressure	bar	8	8	8
6	6	6	bar	Rated pressure for the heat exchanger	bar	6	6	6

PROFI LINE

applications

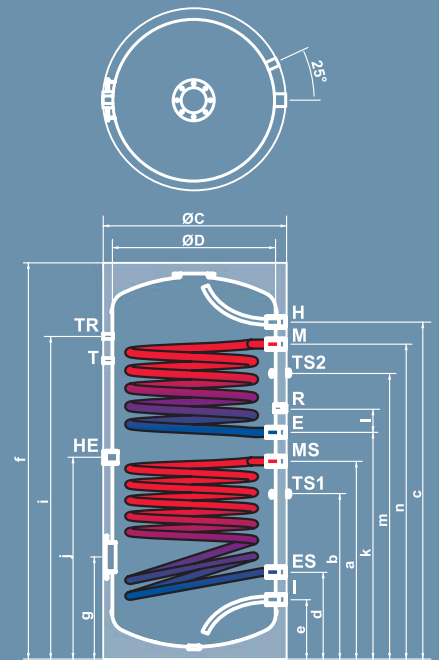
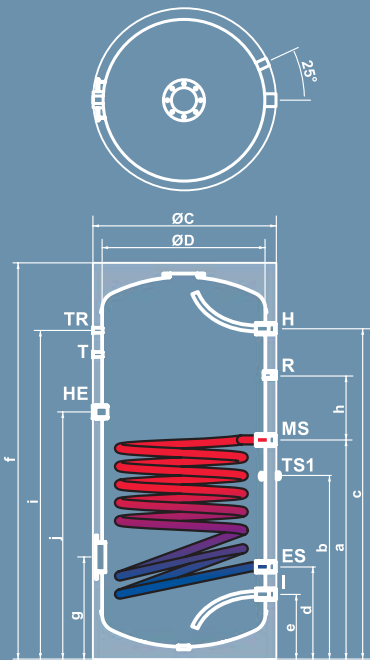


TESY EVS1 200/300/500 F

TESY EVS2 200/300/500 F

Overall dimensions

200L	300L	500L		500L	300L	200L
671	804	941	a mm	855	718	585
564	653	748	b mm	705	610	478
993	1207	1445	c mm	1445	1207	993
284	288	296	d mm	296	288	284
199	203	211	e mm	211	203	199
1200	1420	1695	f mm	1695	1420	1200
314	314	321	g mm	321	314	314
100	206	255	h mm			
993	1207	1445	i mm	1445	1207	993
714	846	984	j mm	898	760	628
			k mm	940	803	671
			l mm	136	100	75
			m mm	1177	996	815
			n mm	1327	1104	886
600	650	750	C mm	750	650	600
500	550	650	D mm	650	550	500



- I – Cold water inlet Rp 1"
- ES – solar installation return Rp 1"
- H – hot water outlet Rp 1"
- MS – solar installation flow Rp 1"
- R – re-circulation Rp 3/4"

- TS – thermo sensor
- HE – opening for electric heating element 1 1/2"
- T – external thermometer
- TR – opening for thermoregulator 1/2"

only for TESI EVS2 xxx F

- E – central heating return Rp 1"
- M – central heating flow Rp 1"
- TS2 – thermo sensor

optional accessories

thermostat + thermal cut out



options for heating element power
 3000 W / 230 V
 3000 W / 230 V + 3000 W / 230 V
 6000 W / 400 V~ (star)



included accessories

- adjustable feet
- thermo-indicator
- thermowell pockets

www.tesy.com

