



TEMPERATURE CONTROL  
FOR TODAY & TOMORROW

  
**MITSUBISHI**  
HEAVY INDUSTRIES

## FDTC35VH1 / SRC35ZS-W2

Capacitate nominala de racire: **3.5 KW**



### Poze unitate interna si unitate externa



### Specificatii

Unitate interna			FDTC35VH1
Unitate externa			SRC35ZS-W2
Sursa de putere			Monofazic, 220 - 240, 50Hz
Capacitate nominala de racire (Min~Max)		kW	3.5 ( 0.9 ~ 4.3 )
Capacitate nominala de incalzire (Min~Max)		kW	4.25 ( 0.9 ~ 4.6 )
Consumul de energie	Racire/Incalzire	kW	0.91 / 1.15
EER/COP	Racire/Incalzire		3.85 / 3.70



## TEMPERATURE CONTROL FOR TODAY & TOMORROW



Amperaj maxim			A	9
Nivel putere sonora	U.I.	Racire/Incalzire	dB(A)	52 / 53
	U.E.	Racire/Incalzire		62 / 62
Nivel presiune sonora	U.I.	Racire (Hi/Me/Lo/Ulo)		39 / 36 / 32 / 29
		Incalzire (Hi/Me/Lo/Ulo)		41 / 38 / 34 / 30
	U.E.	Racire/Incalzire		50 / 50
Flux de aer	U.I.	Racire (Hi/Me/Lo/Ulo)	m <sup>3</sup> /min	9.0 / 8.0 / 7.5 / 6.5
		Incalzire (Hi/Me/Lo/Ulo)		10.0 / 9.0 / 8.0 / 7.0
	U.E.	Racire/Incalzire		31.5 / 31.5
Dimensiuni exterioare	U.I.	Inaltime x Latime x Adancime	mm	Unitate: 248 x 570 x 570 Panou: 10 x 620 x 620
Greutate neta	U.I. / U.E.		kg	16.0 (Unitate: 13.5 Panou: 2.5 ) / 34.5
Refrigerant		Tip/GWP		R32/675
Refrigerant		Incarcare		kg/TCO <sub>2</sub> Eq
Dimensiuni teava refrigerant		Lichid/Gaz		ø mm
Lungime teava refrigerant (o directie)			m	Max. 20
Diferenta de nivel suportata		Unitate externa este mai sus/mai jos		m
Interval de functionare - temperatura exterioara		Racire		°C
				-15~46

**Datorită politicii de continuă îmbunătățire a produselor, ne rezervăm dreptul de a modifica specificațiile tehnice fără nicio notificare prealabilă.**



## TEMPERATURE CONTROL FOR TODAY & TOMORROW



Incalzire	-15~24	
Panou		TC-PSA-5AW-E, TC-PSAE-5AW-E (Fagure) / TC-PSAG-5AW-E, TC-PSAGE-5AW-E (Grila)
Clasa energetica (Racire/Incalzire)		A++/A++
SEER		7.10
SCOP (Climat temperat)		4.60
Pdesign (racire/incalzire(@-10°C))	kW	3.50/2.90
Consumul anual de electricitate (racire/incalzire)	kWh/a	173/883
Performanta in modul Incalzire		Medie

## Schema tehnica

---

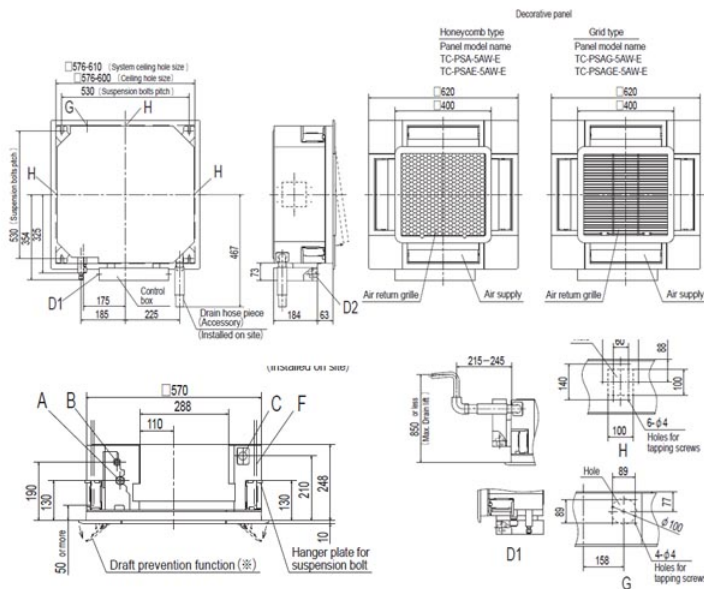
**Datorită politicii de continuă îmbunătățire a produselor, ne rezervăm dreptul de a modifica specificațiile tehnice fără nicio notificare prealabilă.**



# TEMPERATURE CONTROL FOR TODAY & TOMORROW

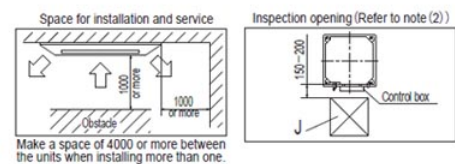


## 4-way ceiling cassette type (FDTC) FDTC25VH1, 35VH1

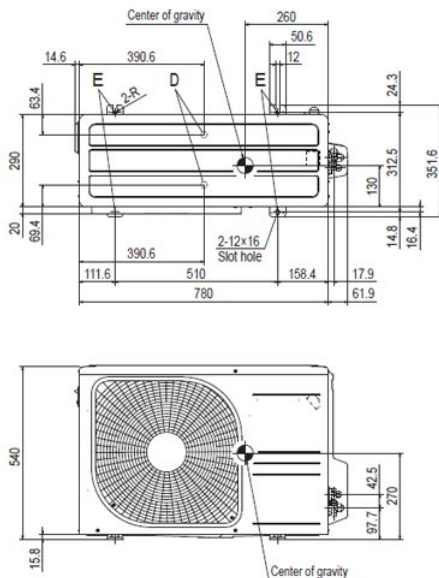


- Notes (1) The model name label is attached to the control box lid.  
 (2) This unit is designed for 2×2 grid ceiling.  
 If it is installed on a ceiling other than 2×2 grid ceiling, provide an inspection opening on the control box side.  
 (3) Draft prevention function (※) is provided on the panel TC-PSA(G)E-5AW-E only.

Symbol	Content
A	Gas piping φ9.52 (3/8") (Flare)
B	Liquid piping φ6.35 (1/4") (Flare)
C	Drain piping VP25 (O.D.32)
D1	Power supply connection
D2	Remote control code and signal wiring connection
F	Suspension bolts (M10 or M8)
G	Outside air opening for ducting (Knock out)
H	Air outlet opening for ducting φ125 (Knock out)
J	Inspection opening 450×450



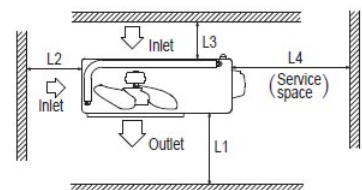
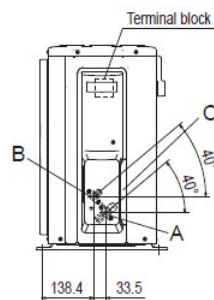
## Outdoor units SRC25ZS-W1, W2 SRC35ZS-W1, W2



Installation space	Content
L1	280 or more
L2	100 or more
L3	80 or more
L4	250 or more

Symbol	Content
A	Service valve connection (gas side) φ9.52 (3/8") (Flare)
B	Service valve connection (liquid side) φ6.35 (1/4") (Flare)
C	Pipe/cable draw-out hole
D	Drain discharge hole φ20×2 places
E	Anchor bolt hole M10-12×4 places

- Notes (1) The unit must not be surrounded by walls on the four sides.  
 (2) The unit must be fixed with anchor bolts. An anchor bolt must not protrude more than 15mm.  
 (3) If the unit is installed in the location where there is a possibility of strong winds, place the unit such that the direction of air from the outlet gets perpendicular to the wind direction.  
 (4) Leave 200mm or more space above the unit.  
 (5) The wall height on the outlet side should be 1200mm or less.  
 (6) The model name label is attached on the right side of the unit.



**Datorită politicii de continuă îmbunătățire a produselor, ne rezervăm dreptul de a modifica specificațiile tehnice fără nicio notificare prealabilă.**