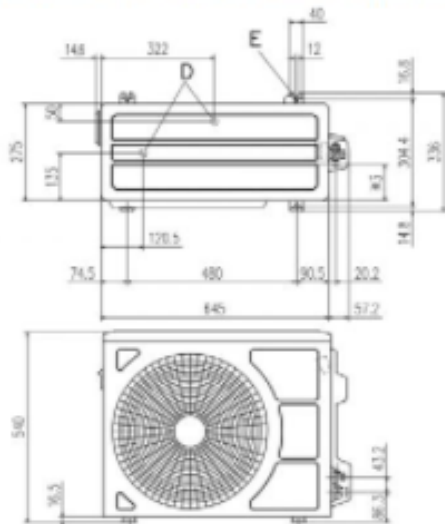
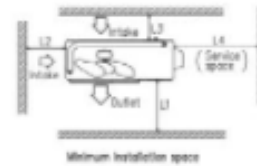
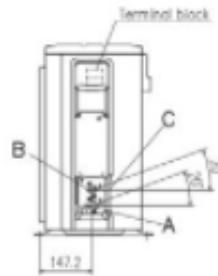


SRC25ZSP-W SRC25ZSP-S SRC35ZSP-W SRC35ZSP-S

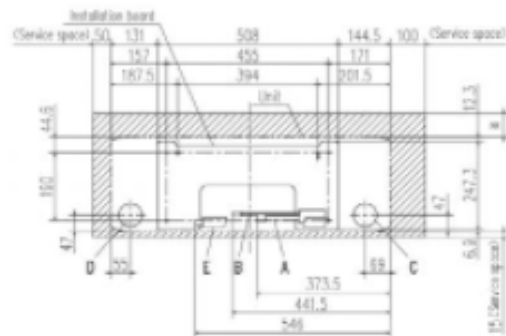
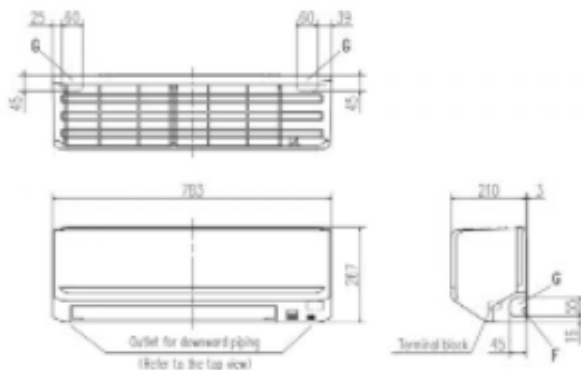


| Symbol | Content |
|--------|--|
| A | Service valve connection (gas side) $\varnothing 9.52$ (3/8") (Flare) |
| B | Service valve connection (liquid side) $\varnothing 6.35$ (1/4") (Flare) |
| C | Pipe/able draw-out hole |
| D | Drain discharge hole $\varnothing 2.0$ (3/16 inch) |
| F | Anchor bolt hole M8 (3/16 inch) |

| Dimensions | Example of installation | | | |
|------------|-------------------------|------|------|------|
| | I | II | III | IV |
| L1 | Open | 250 | 250 | 190 |
| L2 | 100 | 100 | Open | Open |
| L3 | 100 | 80 | 80 | 80 |
| L4 | 250 | Open | 250 | Open |



**SRK25ZSP-W SRK35ZSP-W SRK45ZSP-W
SRK25ZSP-S SRK35ZSP-S SRK45ZSP-S**



| | |
|----------------|----|
| Service space | 65 |
| Recommendation | 80 |

Space for installation and service when viewing from the front

| Symbol | Content |
|--------|--|
| A | Gas piping SR25,35 $\varnothing 9.52$ (3/8") (Flare) SR45 $\varnothing 12.7$ (1/2") (Flare) |
| B | Liquid piping $\varnothing 6.35$ (1/4") (Flare) |
| C | Hole on wall for right rear piping 140(1) |
| D | Hole on wall for left rear piping 140(1) |
| E | Drain hose $\varnothing 16$ |
| F | Outlet for wiring |
| G | Outlet for piping (on both side) |