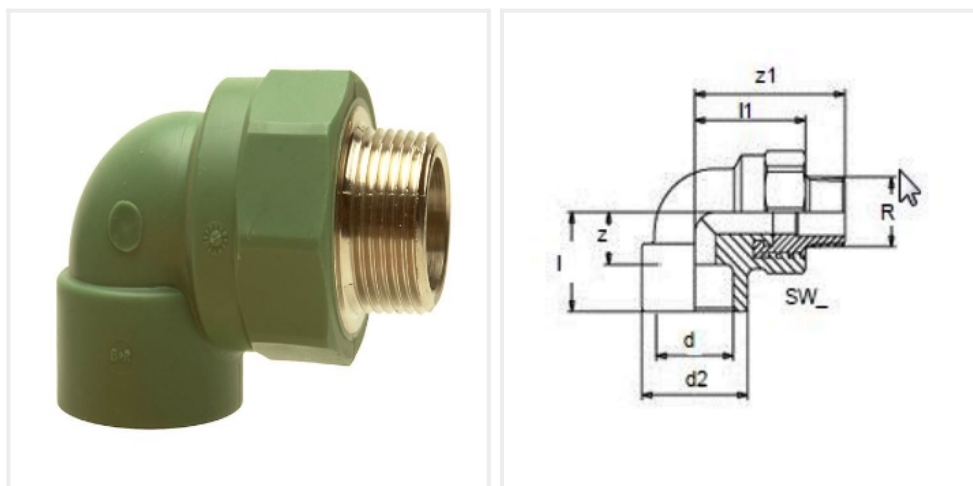


FISA TEHNICA

Cot 90° FE

Categorie: Fitinguri cu filet

Pagina produs: <https://bsr.ro/product/cot-90-fe-4/>



Cod:
 G 8092gPP-R
 G 8092gB PP-RCT

d	R	d2	l	l1	z	z1	SW	material
16	1/2 "	29	28	34	12	47	36	PP-R
16	1/2 "	29	28	34	12	47	36	PP-RCT
20	1/2 "	29	28	34	14	49	36	PP-R
20	1/2 "	29	28	34	14	49	36	PP-RCT
20	3/4 "	34	32	40	18	56	44	PP-R
20	3/4 "	34	32	40	18	56	44	PP-RCT
25	1/2 "	34	32	36	16	53	36	PP-R
25	1/2 "	34	32	36	16	53	36	PP-RCT
25	3/4 "	34	32	40	16	56	44	PP-R
25	3/4 "	34	32	40	16	56	44	PP-RCT
32	3/4 "	43	38	45	20	61	44	PP-R

FISA TEHNICA

32	3/4 "	43	38	45	20	61	44	PP-RCT
32	1 "	43	38	48	20	66	51	PP-R
32	1 "	43	38	48	20	66	51	PP-RCT