

## MINIATURE CIRCUIT BREAKERS (MCB) C100L



### Functions:

- protection of the electrical circuits from overload or short circuits of the outer circuit
- it can be used as a device for commutation and control of electrical circuits
- in combination with auxiliary devices it allows remote control, commutation or indication of the protected circuit

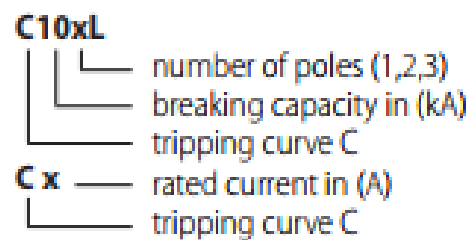
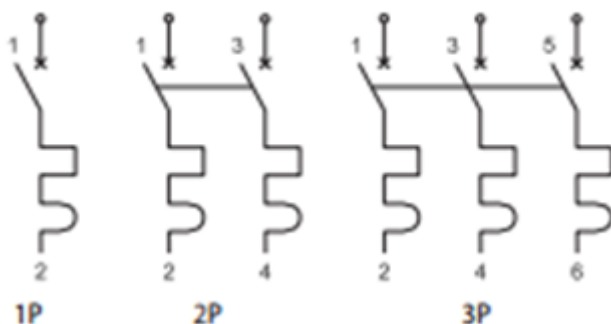


Technical data:	
Rated voltage:	230/400V; 50/60Hz
Breaking capacity (cycle O-CO) in accordance with standard EN 60 898-1:	10000A
Rated breaking capacity:	Ics= 75% Icu
Isolating voltage:	≥2000V, 1 min at impulse wave 1.2/50μs
Electrical wear resistance (number of cycles):	4000
Mechanical (number of cycles):	20000
Class of current limiting:	3
IP code:	IP>20
Tripping curve:	C

## Mounting:

- Vertical
- Din-rail
- Possibility for labeling

## Schemes:



## Basic data:

### ■ MCB C101L



Type	Number of poles	Rated current In(A)	Breaking capacity (kA)	Recommended section of the conductor (g/mm)	Packing/ Box (pcs)	Catalog number Curve C	Catalog number Curve B
C101L / 6A	1P	6	10	1.0	12 / 240	41101	41101B
C101L / 10A	1P	10	10	1.5	12 / 240	41103	41103B
C101L / 16A	1P	16	10	2.5	12 / 240	41105	41105B
C101L / 20A	1P	20	10	2.5	12 / 240	41107	41107B
C101L / 25A	1P	25	10	4.0	12 / 240	41108	41108B
C101L / 32A	1P	32	10	6.0	12 / 240	41109	41109B
C101L / 40A	1P	40	10	10.0	12 / 240	41111	41111B
C101L / 50A	1P	50	10	10.0	12 / 240	41112	41112B
C101L / 63A	1P	63	10	16.0	12 / 240	41113	41113B

### ■ MCB C102L



Type	Number of poles	Rated current In(A)	Breaking capacity (kA)	Recommended section of the conductor (g/mm)	Packing/ Box (pcs)	Catalog number Curve C	Catalog number Curve B
C102L / 6A	2P	6	10	1.0	6 / 120	41201	41201B
C102L / 10A	2P	10	10	1.5	6 / 120	41203	41203B
C102L / 16A	2P	16	10	2.5	6 / 120	41205	41205B
C102L / 20A	2P	20	10	2.5	6 / 120	41207	41207B
C102L / 25A	2P	25	10	4.0	6 / 120	41208	41208B
C102L / 32A	2P	32	10	6.0	6 / 120	41209	41209B
C102L / 40A	2P	40	10	10.0	6 / 120	41211	41211B
C102L / 50A	2P	50	10	10.0	6 / 120	41212	41212B
C102L / 63A	2P	63	10	16.0	6 / 120	41213	41213B

## ■ MCB C103L



Type	Number of poles	Rated current In(A)	Breaking capacity (kA)	Recommended section of the conductor (g/mm)	Packing/ Box (pcs)	Catalog number Curve C	Catalog number Curve B
C103L / 6A	3P	6	10	1.0	4 / 80	41301	41301B
C103L / 10A	3P	10	10	1.5	4 / 80	41303	41303B
C103L / 16A	3P	16	10	2.5	4 / 80	41305	41305B
C103L / 20A	3P	20	10	2.5	4 / 80	41307	41307B
C103L / 25A	3P	25	10	4.0	4 / 80	41308	41308B
C103L / 32A	3P	32	10	6.0	4 / 80	41309	41309B
C103L / 40A	3P	40	10	10.0	4 / 80	41311	41311B
C103L / 50A	3P	50	10	10.0	4 / 80	41312	41312B
C103L / 63A	3P	63	10	16.0	4 / 80	41313	41313B

## ■ MCB C104L



Type	Number of poles	Rated current In(A)	Breaking capacity (kA)	Recommended section of the conductor (g/mm)	Packing/ Box (pcs)	Catalog number Curve C	Catalog number Curve B
C104L / 6A	4P	6	10	1.0	3 / 60	41401	41401B
C104L / 10A	4P	10	10	1.5	3 / 60	41403	41403B
C104L / 16A	4P	16	10	2.5	3 / 60	41405	41405B
C104L / 20A	4P	20	10	2.5	3 / 60	41407	41407B
C104L / 25A	4P	25	10	4.0	3 / 60	41408	41408B
C104L / 32A	4P	32	10	6.0	3 / 60	41409	41409B
C104L / 40A	4P	40	10	10.0	3 / 60	41411	41411B
C104L / 50A	4P	50	10	10.0	3 / 60	41412	41412B
C104L / 63A	4P	63	10	16.0	3 / 60	41413	41413B

## Standards:

- EN 60898-1:2003
- EN 60947-2:2006

