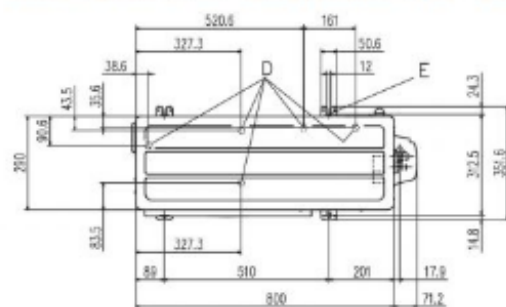
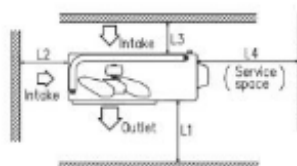
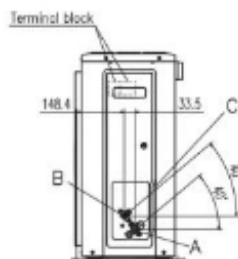
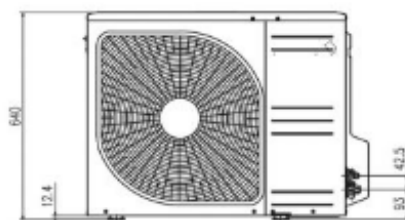


**SRC20ZSX-W,-S SRC25ZSX-W,-S SRC35ZSX-W,-S**  
**SRC40ZSX-W,-S SRC50ZSX-W,-S SRC60ZSX-W,-S SRC63ZR-W,-S**

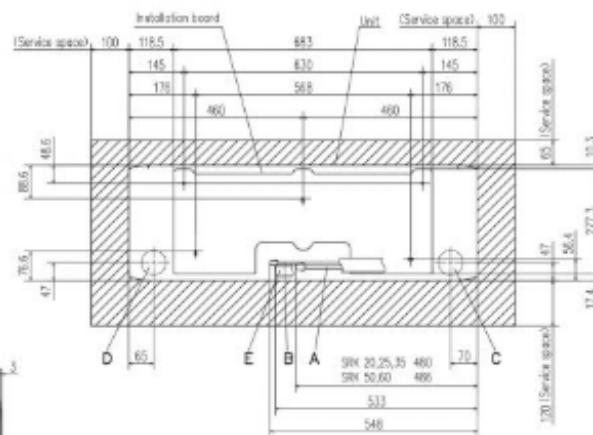
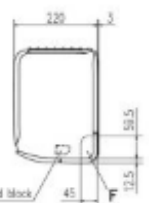
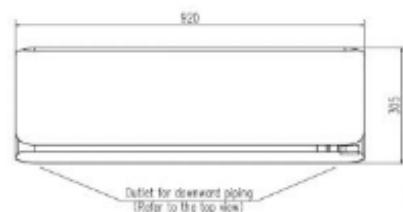
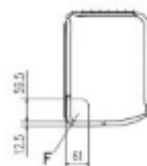


Symbol	Content	
A	Service valve connection (gas side)	20.25.30 #9.52(3/8") (Flare)
B	Service valve connection (liquid side)	40.30.60.63 #12.7(1/2") (Flare)
C	Pipe/cable draw-out hole	#6.35 (1/4") (Flare)
D	Drain discharge hole	#20x5places
E	Anchor bolt hole	M10x4places

Dimensions	Minimum installation space			
	I	II	III	IV
L1	Open	280	280	180
L2	100	75	Open	Open
L3	100	80	80	80
L4	250	Open	250	Open



**SRK20ZSX-W,-WB,-WT SRK25ZSX-W,-WB,-WT**  
**SRK35ZSX-W,-WB,-WT SRK50ZSX-W,-WB,-WT**  
**SRK60ZSX-W,-WB,-WT**



Space for installation and service when viewing from the front

Symbol	Content	
A	Gas piping	SRK 20.25.30 #9.52(3/8") (Flare) SRK 35.60.60 #12.7(1/2") (Flare)
B	Liquid piping	#6.35(1/4") (Flare)
C	Hole on wall for right rear piping	(#6.35)
D	Hole on wall for left rear piping	(#6.35)
E	Drain hose	φ16
F	Outlet for piping	