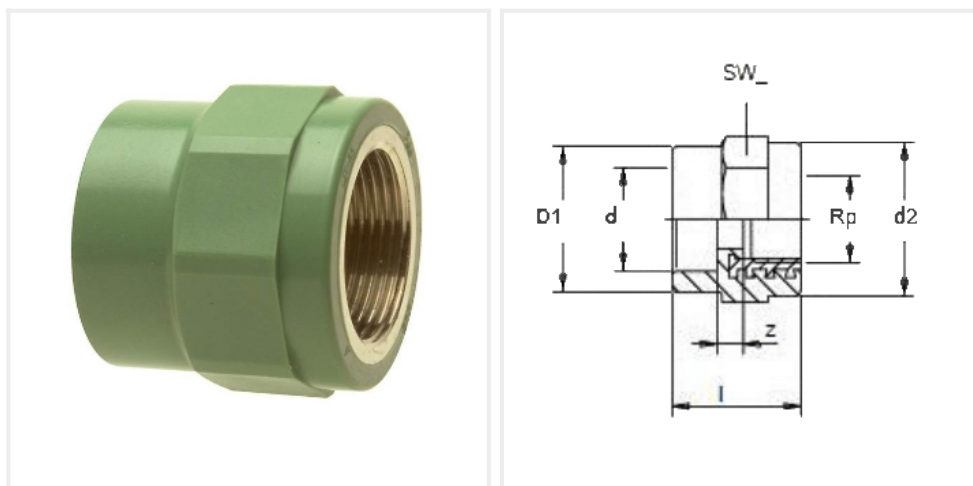


**FISA TEHNICA**

**Mufa FI**

**Categorie:** Fitinguri cu filet

**Pagina produs:** <https://bsr.ro/product/mufa-fi-3/>



G 8270g PP-R  
 G 8270gB PP-RCT

<b>d</b>	<b>Rp</b>	<b>d2</b>	<b>D1</b>	<b>l</b>	<b>z</b>	<b>SW</b>	<b>kg/buc</b>	<b>material</b>
16	1/2 "	35	24	38	11	36	0,067	PP-R
16	1/2 "	35	24	38	11	36	0,067	PP-RCT
20	1/2 "	35	29	40	11	36	0,068	PP-R
20	1/2 "	35	29	40	11	36	0,068	PP-RCT
20	3/4 "	43	34	42	11	44	0,101	PP-R
20	3/4 "	43	34	42	11	44	0,101	PP-RCT
25	1/2 "	35	34	41	11	36	0,068	PP-R
25	1/2 "	35	34	41	11	36	0,068	PP-RCT
25	3/4 "	43	34	42	11	44	0,1	PP-R
25	3/4 "	43	34	42	11	44	0,1	PP-RCT
32	3/4 "	43	43	44	11	44	0,107	PP-R
32	3/4 "	43	43	44	11	44	0,107	PP-RCT

Vezi alte produse PLASSON BSR: [www.bsr.ro](http://www.bsr.ro)

## FISA TEHNICA

32	1 "	50	43	48	12	51	0,149	PP-R
32	1 "	50	43	48	12	51	0,149	PP-RCT
40	1 "	62	55	54	14	63	0,195	PP-R
40	1 "	62	55	54	14	63	0,195	PP-RCT
40	1-1/4 "	62	55	54	13	63	0,213	PP-R
40	1-1/4 "	62	55	54	13	63	0,213	PP-RCT
50	1-1/2 "	69	64	57	14	70	0,246	PP-R
50	1-1/2 "	69	64	57	14	70	0,246	PP-RCT
50	1-1/4 "	69	64	57	12	70	0,238	PP-R
50	1-1/4 "	69	64	57	12	70	0,238	PP-RCT
63	2 "	84	79	68	19	85	0,487	PP-R
63	2 "	84	79	68	19	85	0,487	PP-RCT
75	2-1/2 "	112	99	82	22	115	0,822	PP-R
75	2-1/2 "	112	99	82	22	115	0,822	PP-RCT
90	3 "	134	120	108	39	135	1,434	PP-R
90	3 "	134	120	108	39	135	1,434	PP-RCT
110	4 "	169	148	121	42	170	2,134	PP-R
110	4 "	169	148	121	42	170	2,134	PP-RCT
125	5 "	206	168	125	41	208	3,487	PP-R
125	5 "	206	168	125	41	208	3,487	PP-RCT