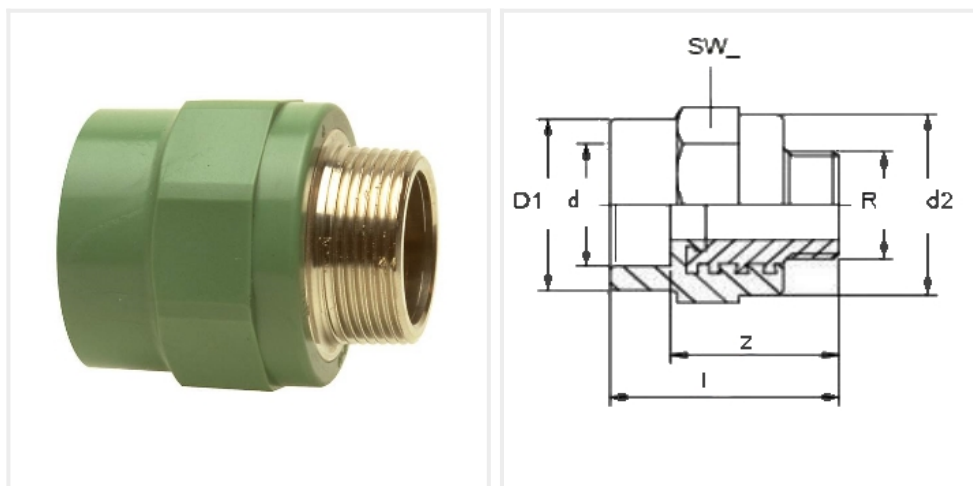


**FISA TEHNICA**

**Mufa FE**

**Categorie:** Fitinguri cu filet

**Pagina produs:** <https://bsr.ro/product/mufa-fe/>



G 8243g PP-R  
 G 8243gB PP-RCT

d	R	d2	D1	l	z	SW	kg/buc	material
16	1/2 "	35	24	53	40	36	0,087	PP-R
16	1/2 "	35	24	53	40	36	0,087	PP-RCT
20	1/2 "	35	29	55	40	36	0,088	PP-R
20	1/2 "	35	29	55	40	36	0,088	PP-RCT
20	3/4 "	43	34	58	42	44	0,118	PP-R
20	3/4 "	43	34	58	42	44	0,118	PP-RCT
25	1/2 "	35	34	56	40	36	0,086	PP-R
25	1/2 "	35	34	56	40	36	0,086	PP-RCT
25	3/4 "	43	34	58	42	44	0,123	PP-R
25	3/4 "	43	34	58	42	44	0,123	PP-RCT
32	3/4 "	43	43	58	42	44	0,128	PP-R
32	3/4 "	43	43	58	42	44	0,128	PP-RCT

## FISA TEHNICA

32	1 "	50	43	66	48	51	0,189	PP-R
32	1 "	50	43	66	48	51	0,189	PP-RCT
40	1 "	62	55	71	51	62	0,234	PP-R
40	1 "	62	55	71	51	62	0,234	PP-RCT
40	1-1/4 "	62	52	74	53	63	0,313	PP-R
40	1-1/4 "	62	52	74	53	63	0,313	PP-RCT
50	1-1/2 "	69	64	77	54	70	0,35	PP-R
50	1-1/2 "	69	64	77	54	70	0,35	PP-RCT
50	1-1/4 "	69	64	77	54	70	0,331	PP-R
50	1-1/4 "	69	64	77	54	70	0,331	PP-RCT
63	2 "	84	79	92	65	85	0,623	PP-R
63	2 "	84	79	92	65	85	0,623	PP-RCT
75	2-1/2 "	112	99	112	82	115	1,169	PP-R
75	2-1/2 "	112	99	112	82	115	1,169	PP-RCT
90	3 "	134	120	143	111	135	1,972	PP-R
90	3 "	134	120	143	111	135	1,972	PP-RCT
110	4 "	169	148	161	124	170	2,912	PP-R
110	4 "	169	148	161	124	170	2,912	PP-RCT
125	5 "	206	168	170	130	208	5,218	PP-R
125	5 "	206	168	170	130	208	5,218	PP-RCT