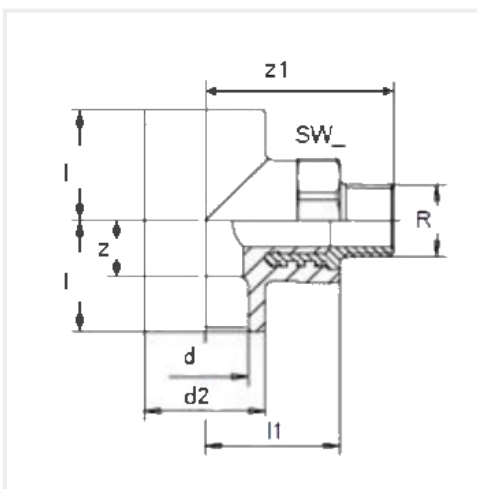


**FISA TEHNICA**

**Teu 90° FE**

Categorie: Fitinguri cu filet

Pagina produs: <https://bsr.ro/product/teu-90-fe-3/>



8133g

<b>d</b>	<b>R</b>	<b>d2</b>	<b>l</b>	<b>l1</b>	<b>z</b>	<b>z1</b>	<b>SW</b>	<b>kg/buc</b>
16	1/2 "	23	25	32	12	47	36	0,107
16	1/2 "	23	25	32	12	47	36	0,107
20	1/2 "	29	28	34	14	49	36	0,1
20	1/2 "	29	28	34	14	49	36	0,1
20	3/4 "	29	28	35	14	50	44	0,148
20	3/4 "	29	28	35	14	50	44	0,148
25	1/2 "	34	32	38	16	53	36	0,106
25	1/2 "	34	32	38	16	53	36	0,106
25	3/4 "	34	32	40	16	55	44	0,139
25	3/4 "	34	32	40	16	55	44	0,139
32	3/4 "	43	38	45	20	60	44	0,17
32	3/4 "	43	38	45	20	60	44	0,17

## FISA TEHNICA

---

32      1 "                      43              38              48              20              66              51              0,239

---